

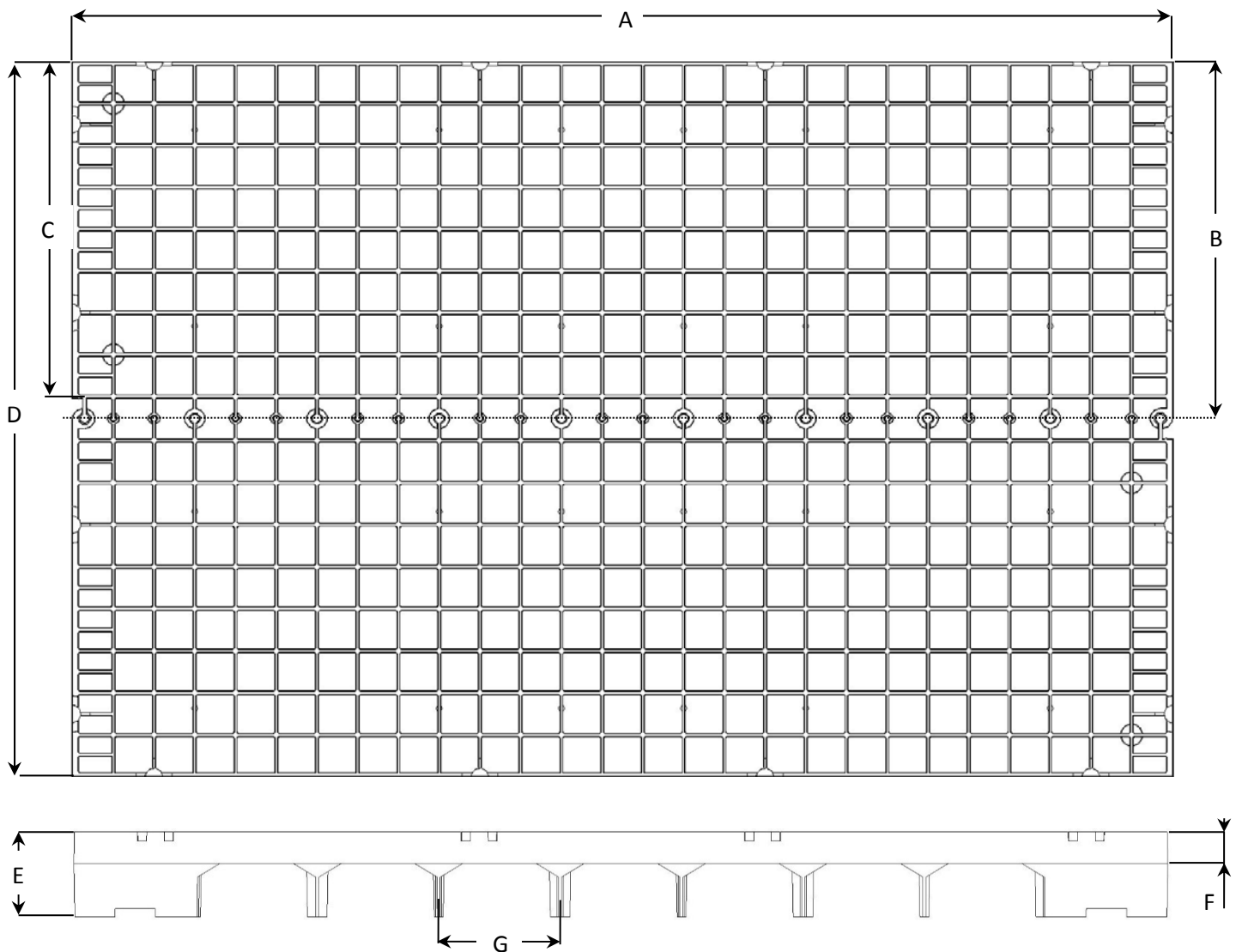
TP Reflex Group SpA has been producing and selling from many years, a special DRAINING GRATING made by plastic reinforced polypropylen PP

DRAINING GRATING is greatly used in dry cleaners, tanneries, swimming pool floors, hydroelectric power plants, floating docks, etc.. Due to open lower base is suitable everywhere is needed let pipes, liquids, tubes, electrical wires, pass under the floor.

MAIN FEATURES

- Huge liquid draining capacity
- Great corrosion resistance
- No maintenance needed
- Low cost placement
- Light weight
- Reliable in time
- Black Color
- Easy to install, cut and shape on your needs

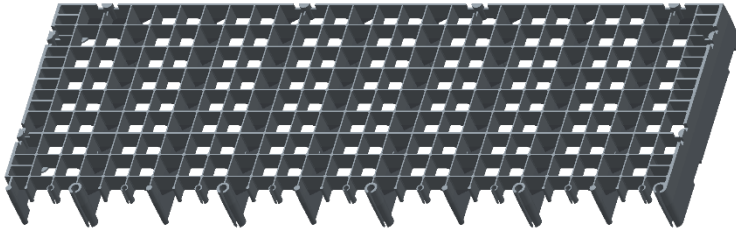
GRATING LAYOUT AND DIMENSIONS OF TWO ASSEMBLED PANELS



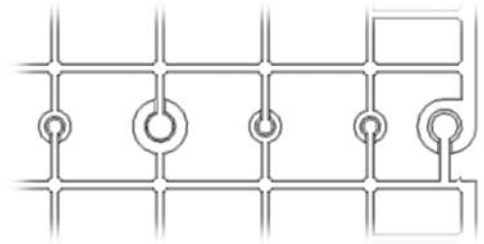
Dimensions mm	A	B	C	D	E	F	G
	1217	405	375	795	95	34	135

Two single panels can be coupled as showed in picture, thanks to special shaped snaps, in order to reach 0.980 M² in a single piece. Weight of two assembled panels is about 11 Kg

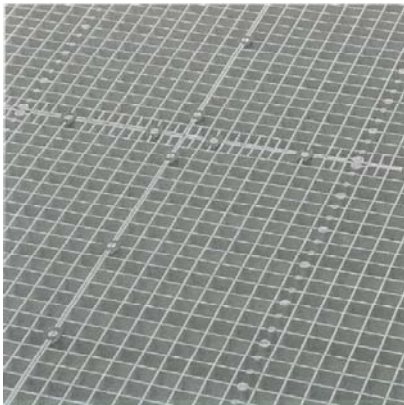
Single panel



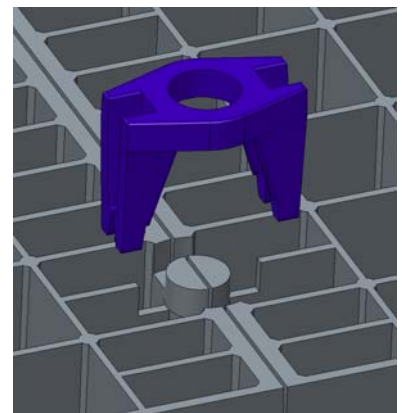
Special snaps



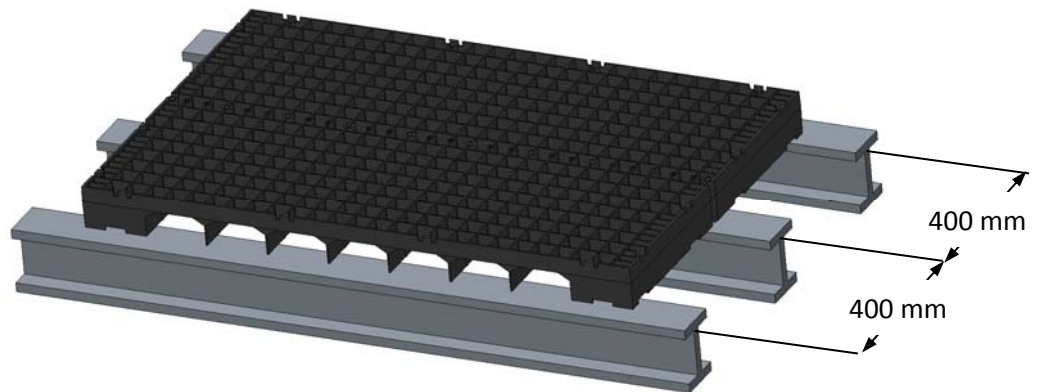
DRAINING GRATINGS are linkable themselves with a special GRATING HOOK. Studied to be easy to snap and durable in time, it provides an excellent structure and stability of the floor when all DRAINING GRATING are assembled



GRATING HOOK cod. 58300190



Suitable to be placed on beams ..



.. suitable to be placed on floor

